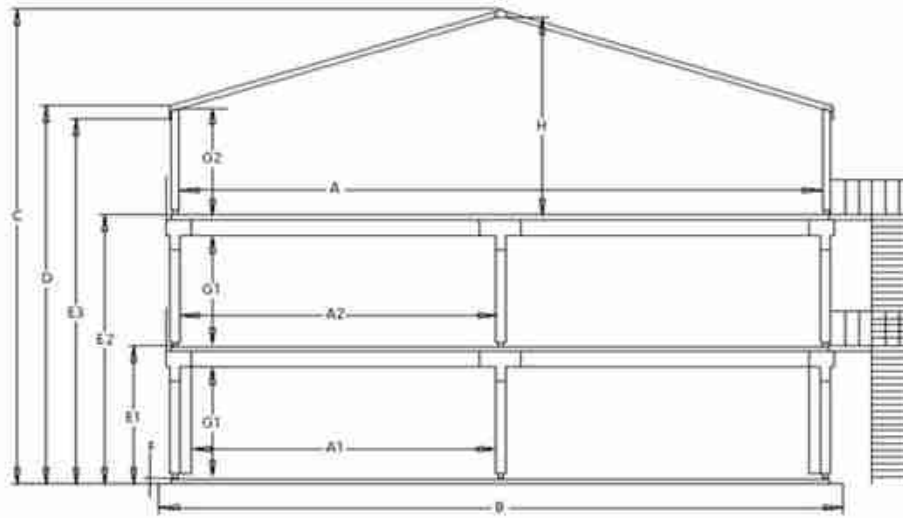


# **STUDENT DORMITORY**



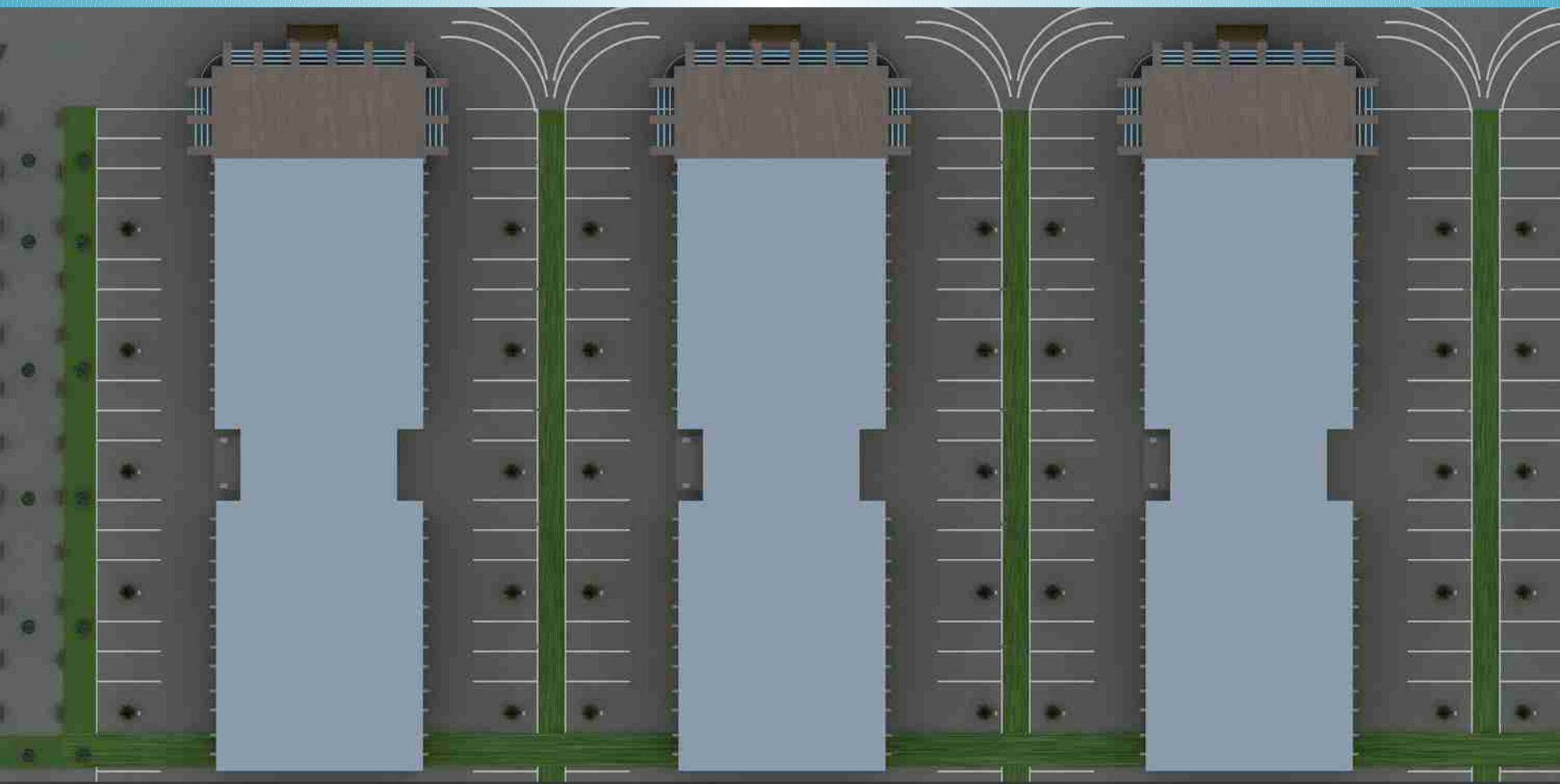
**2 OR 3  
STORIES FAST  
PRODUCTION AND  
INSTALLATION  
MEMBRANE ROOFED  
MODULAR HOTEL**



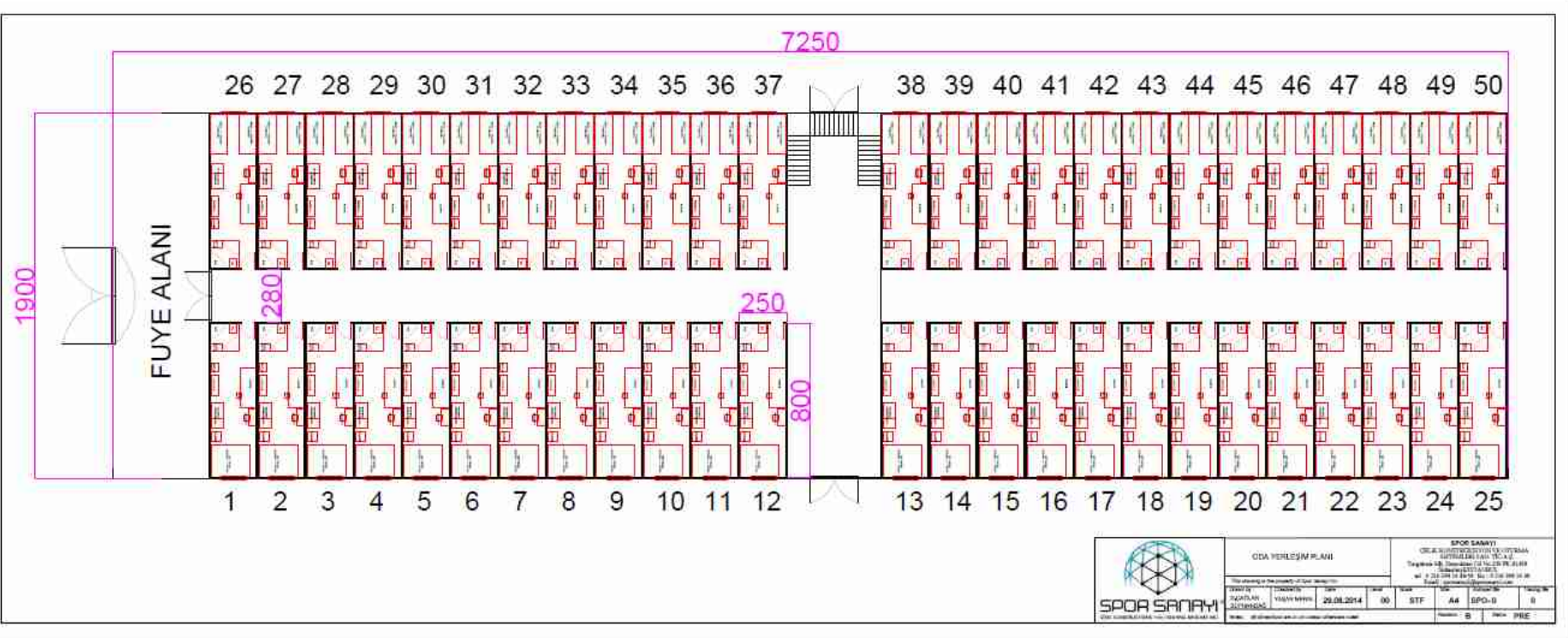


Lengths can be increased in 5 meter units. The width varies from 8, 10, 12, 16, 20 and 24 to 32 meters. The side walls are made of rigid PVC panels, but sliding soft window walls and glazed panels are also available. The standard roof tarpaulin, which is 80% translucent, can be replaced with an optionally opaque or transparent roof. Terraces can also be built on any edge or gable end. The three-storey platform is supplied with wooden stairs on the inside and metal stairs on the outside. The interior can be decorated using ivory-colored roof coverings and side wall coverings in various colors.

	8 m.	10 m.	12 m.	16 m.	20 m.	24 m.	32 m.
<b>A</b>	775	975	1175	1575	1970	2370	3170
<b>A1</b>	725	395-559	559	759	759-359	759	759
<b>A2</b>	745	375-575	575	775	775-375	775	775
<b>B</b>	850	1050	1250	1650	2050	2450	3250
<b>C</b>	1215	1265	1285	1345	1415	1475	1610
<b>D</b>	1070	1070	1070	1070	1070	1070	1070
<b>E1</b>	385	385	385	385	385	385	385
<b>E2</b>	755	755	755	755	755	755	755
<b>E3</b>	1050	1050	1050	1050	1050	1050	1050
<b>F</b>	16,5	16,5	16,5	16,5	16,5	16,5	16,5
<b>G1</b>	310	310	310	310	310	310	310
<b>G2</b>	385	385	385	385	385	385	385
<b>H</b>	440	460	495	555	620	680	805



# 50 ROOM PORTABLE STEEL HOTEL FLOOR PLAN - 20 m<sup>2</sup> ROOMS

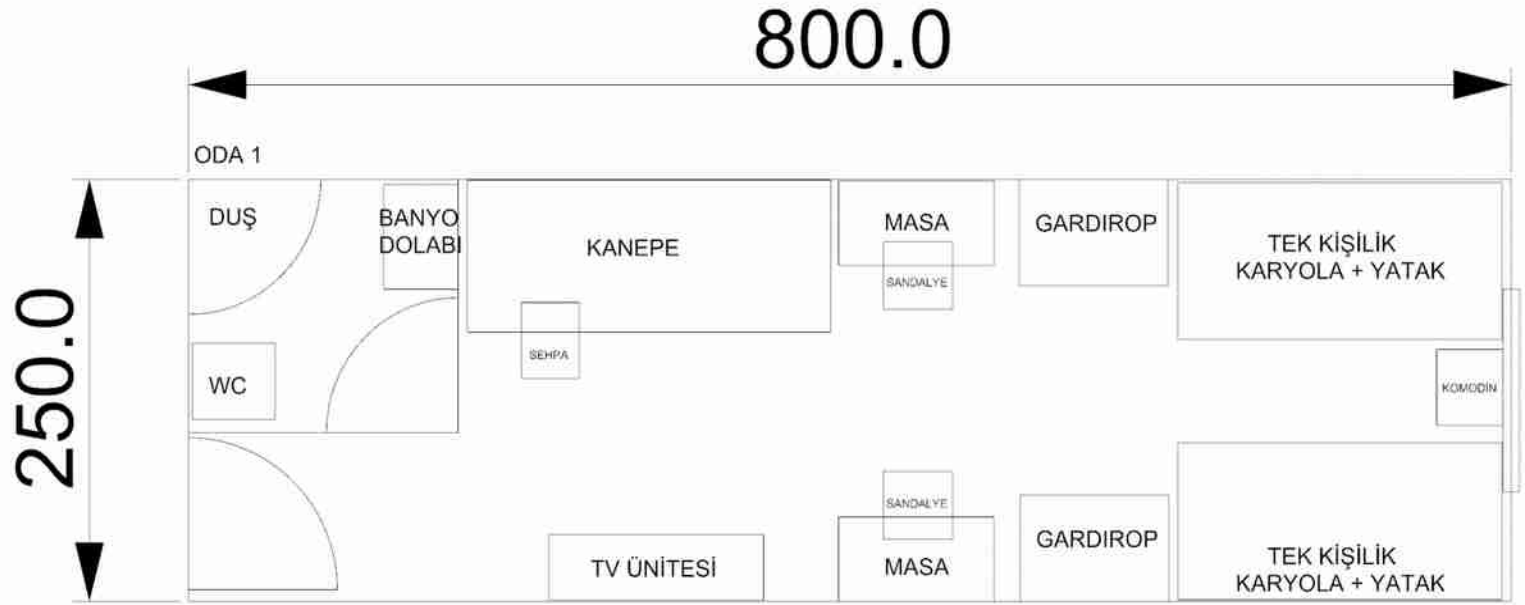


 <b>SPOR SANAYI</b> <small>ÇEVRE DOSTU ÇELİK ÇATIŞI ÜRETİM VE İNŞAAT İÇİŞİ</small>	<b>ODA VERİLEBİR PLANI</b>		<b>SPOR SANAYİ</b> <small>ORNA SÜREKLİ ÜRETİM ÜNİTESİ              HATIRLIK İNŞAAT YATIRIMI              Turgutreis 19. Dönüşüm (13.11.2014) 419              İlhanlı Mahallesi, Muğla</small>			
	<small>Yapı No:</small> 01/2014/19/19/19	<small>Tarih:</small> 29.08.2014	<small>Alan:</small> 90	<small>Yapı:</small> STF	<small>Yapı No:</small> AA	<small>Yapı No:</small> SPO-1

# FOYER



## 2 SINGLE BED ROOM PLAN



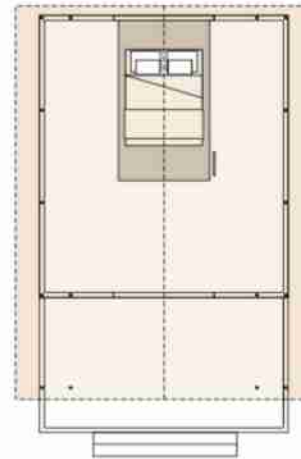
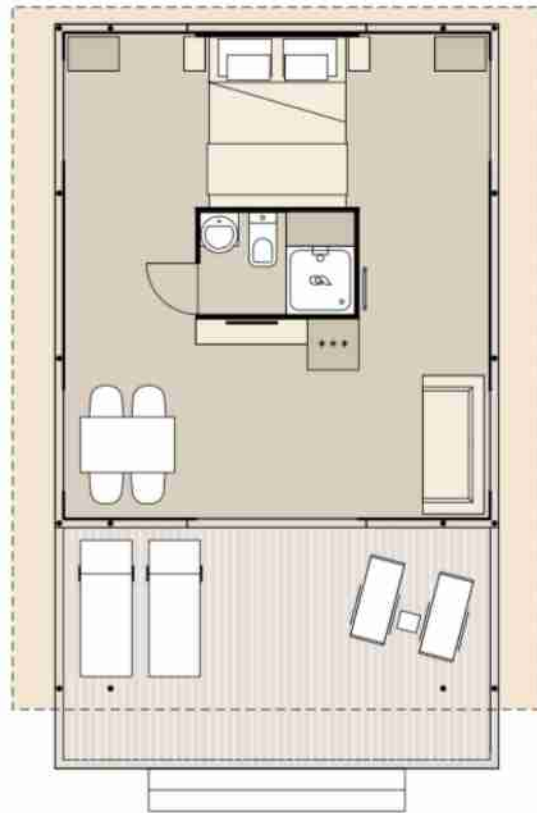
## 2-BED ROOM





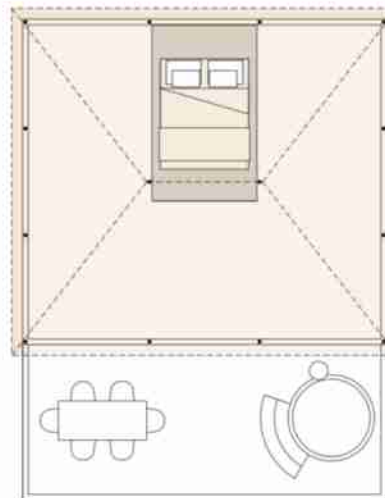
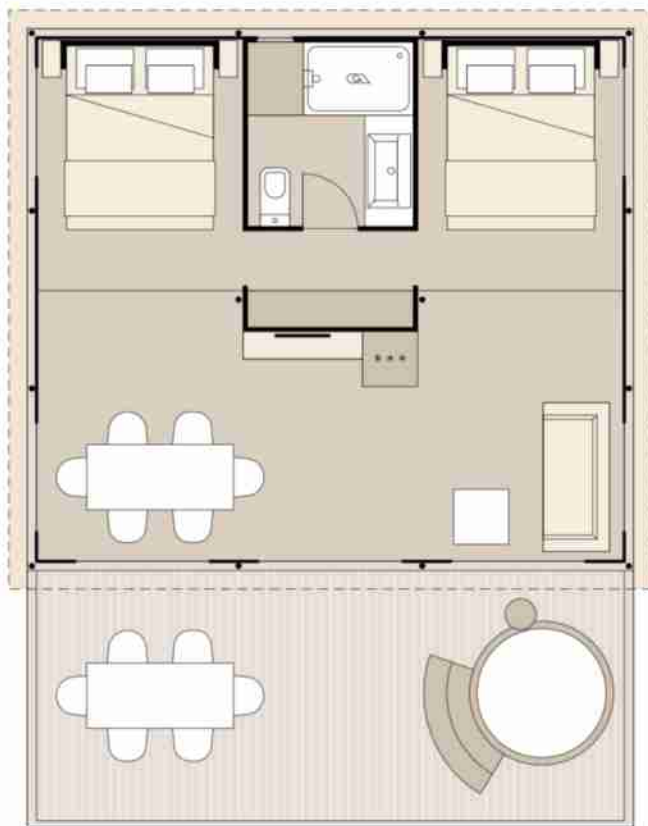


# Luxury room I



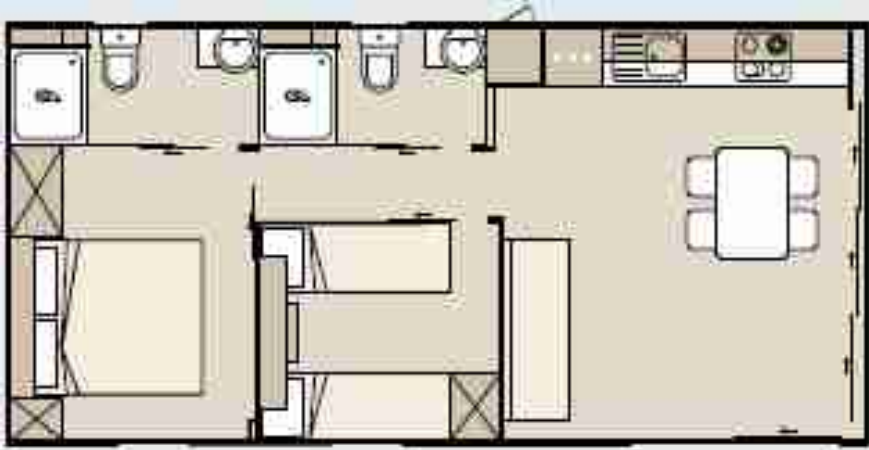
Safari L Comfort

# Luxury room II

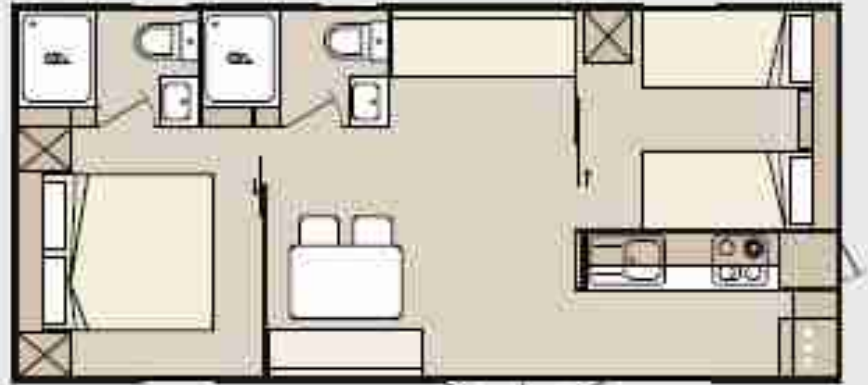


**Boutique Family**

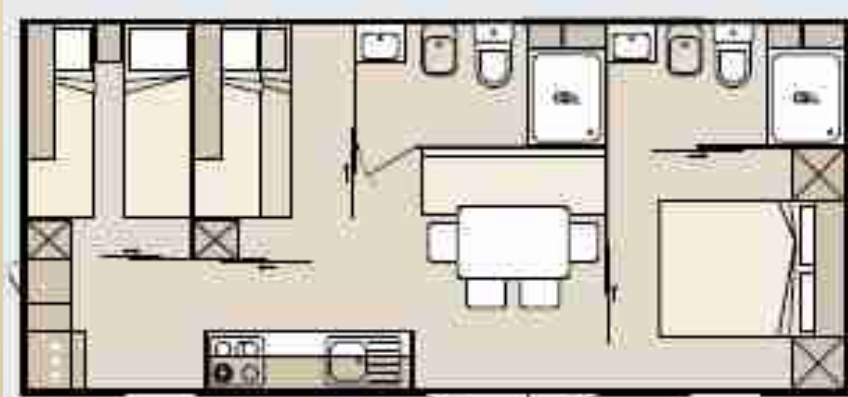
4+2 / Bed



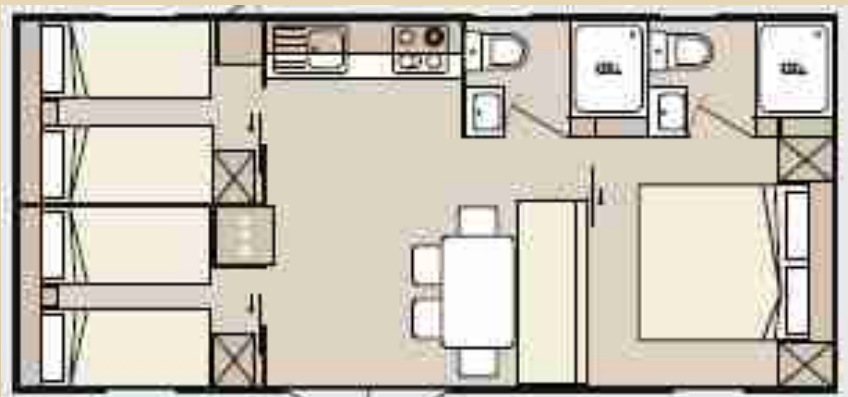
4+2 / Bed



6+2 / Bed



6+2 / Bed



8,5 m x 4 m

# BATH



# HABITAT



**RAISED FLOOR, SIDE WALL, SUSPENDED CEILING AND LIGHTING**

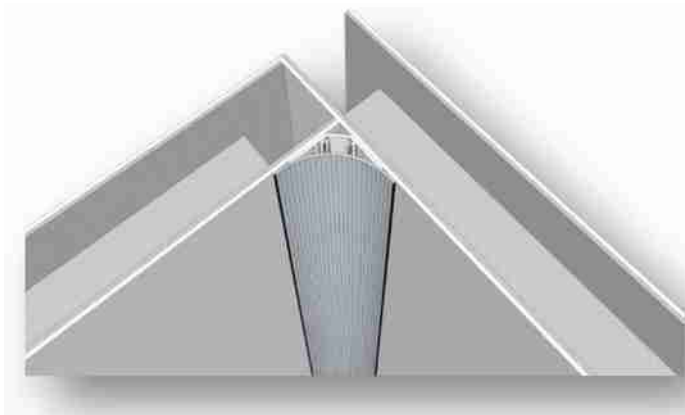
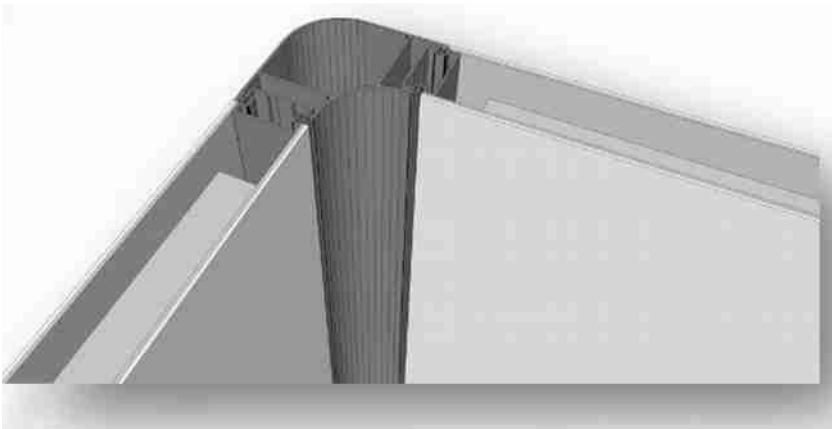


**CORRIDOR, FLOOR, SIDE WALL, SUSPENDED CEILING**

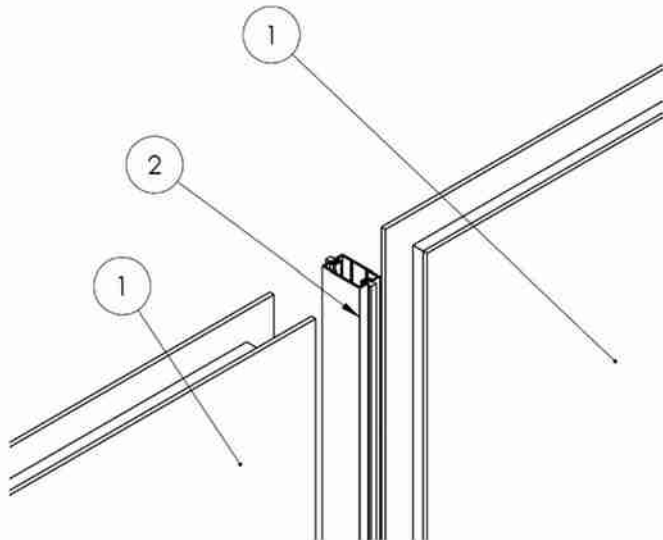
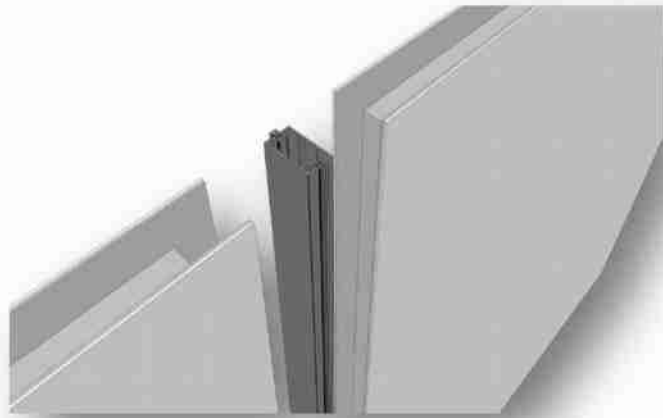




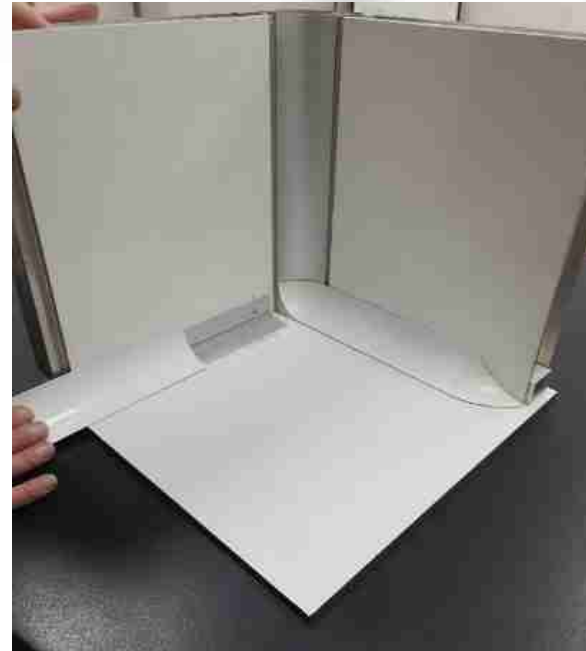
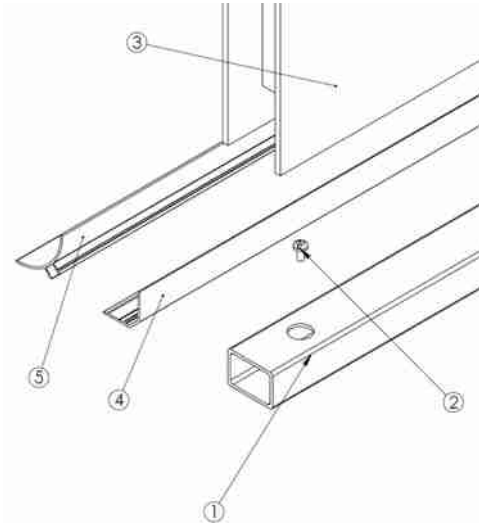
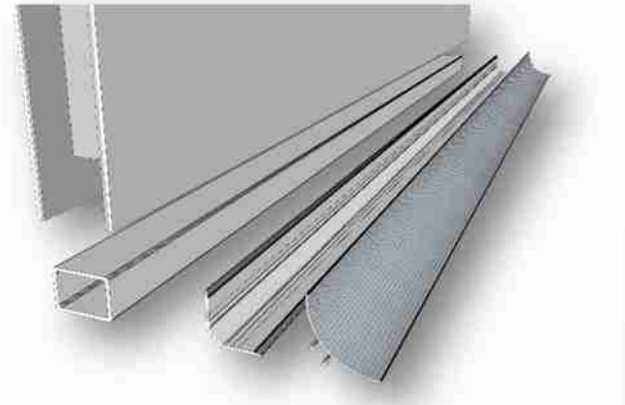
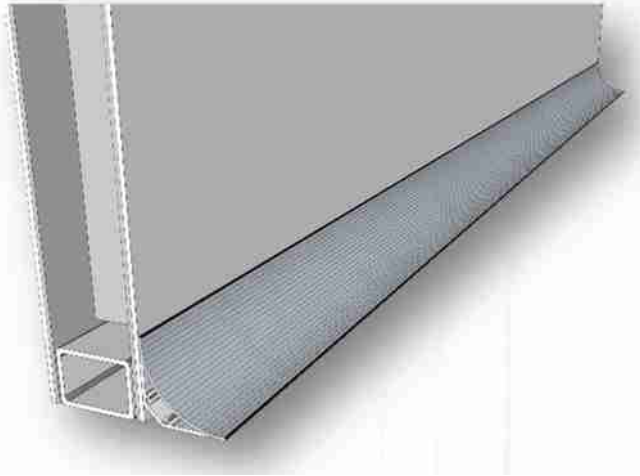
**MODULAR SYSTEM  
CONNECTION AND  
INSTALLATION  
DETAILS**



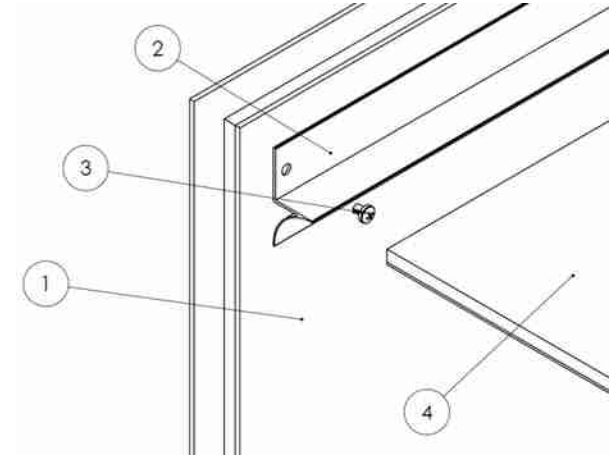
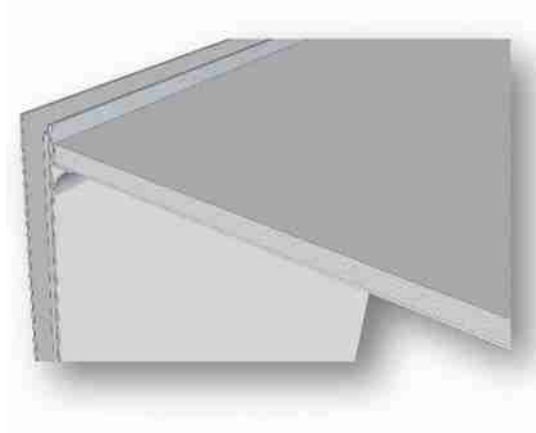
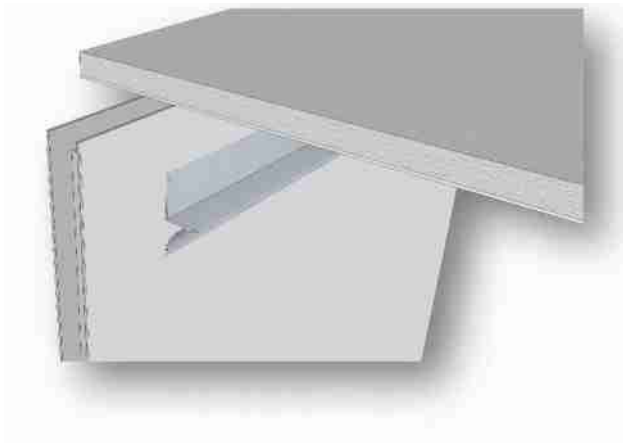
WALL CORNER CONNECTION DETAILS



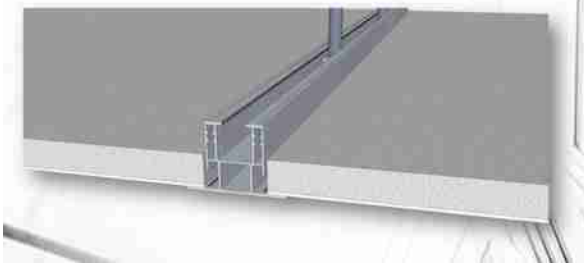
**INTERWALL INTERCONNECTION DETAILS**



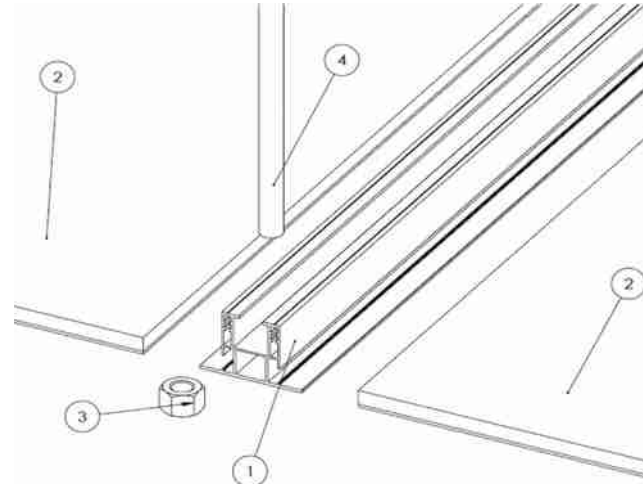
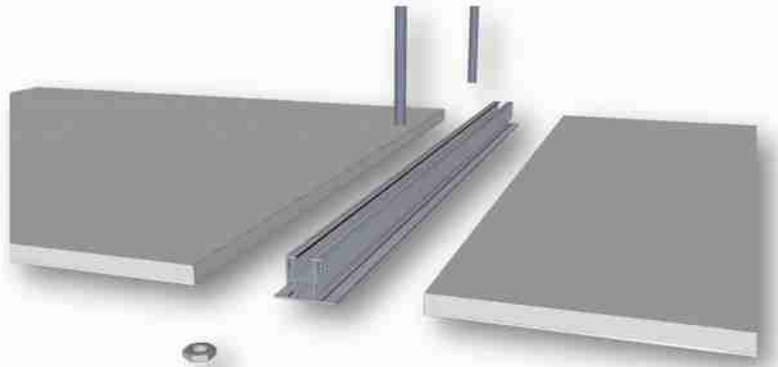
**PANEL CONNECTION DETAILS BETWEEN THE FLOOR AND THE WALL**



**PANEL CONNECTION DETAILS BETWEEN CEILING AND SIDE WALL**



SUSPENDED CEILING CONNECTION  
DETAILS - 1



SUSPENDED CEILING CONNECTION  
DETAILS - 2





**Side wall panels are modular and are extremely easy to assemble and disassemble.**